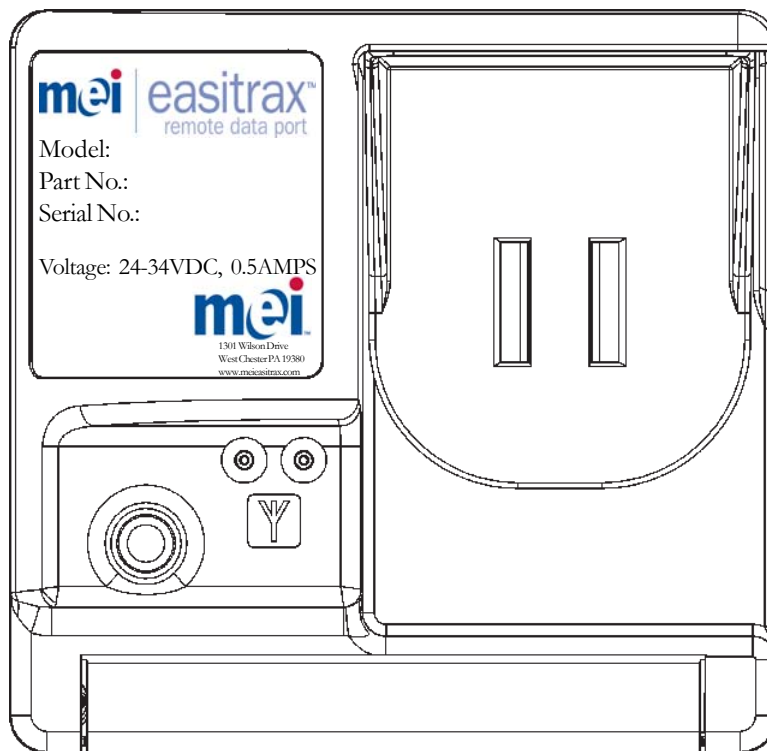


# mei | easitrax™

remote data port

## Remote Data Port Install Guide



©MEI Inc. 2006 Printed in USA.

Information is subject to change without notice. MEI has made every effort to ensure that the information in this document is accurate. However, we cannot be held responsible for any errors or omissions.

Technical Support 1-800-345-8172  
www.meieasitrax.com

Remote Data Port Page-1  
Revision G2

# TABLE OF CONTENTS

## INTRODUCTION

General Information .....	4
Product Features .....	4
Interfaces Supported .....	4

## PRODUCT OVERVIEW

Serial Number .....	5
Configuration .....	5
Configurable Remote Data Port .....	5
MEI Easitrax EZ 100 .....	6
MEI Easitrax EZ 200 .....	6
Instruction Before Installation .....	7
Recommended Tools/Supplies .....	7
Required Installation Standard .....	7

## AUTOMATIC PRODUCT INSTALLATION

AP6000/7000 Series Snack Machine .....	8-10
AP 203/213 Series Snack Machine .....	11-13
AP LCM 1-5 Series Snack Machine .....	14-16

## SINGLE PRICE CAN VENDOR INSTALLATION

Single Price Machine .....	17-19
Dixie Narco Motor Cable Chart .....	20

## NATIONAL PRODUCT INSTALLATION

National 145/146 Snack Machine .....	21-23
--------------------------------------	-------

## RMI PRODUCT INSTALLATION

RMI 2000 / 8050 Machine .....	24-26
-------------------------------	-------

## ROWE PRODUCT INSTALLATION

Rowe 448E Snack Machine .....	27-29
-------------------------------	-------

# TABLE OF CONTENTS

## ROWE PRODUCT INSTALLATION (Continued)

Rowe 448E2 Snack Machine .....	30-32
Rowe 5900 Snack Machine .....	33-35

# INTRODUCTION

---

## GENERAL INFORMATION

The remote data port lets you add industry-standard DEX data transfer capabilities to machines that are not audit enabled or add enhanced capabilities to DEX-enabled machines. The remote data port gathers data on cash transactions and vending cycles, including coin drops, bill insertions and product sales. This information is stored for later collection.

The remote data port is compatible with most vending machines and is simple to use and install. This manual is designed to assist in the installation of the remote data port into various vending machines. This manual will be revised periodically to ensure technical accuracy as more machines become available for retrofitting.

The system is available in two options:

1. Cash Only - Monitors cash sales only.
2. Full Option- Monitors cash sales and product vends.

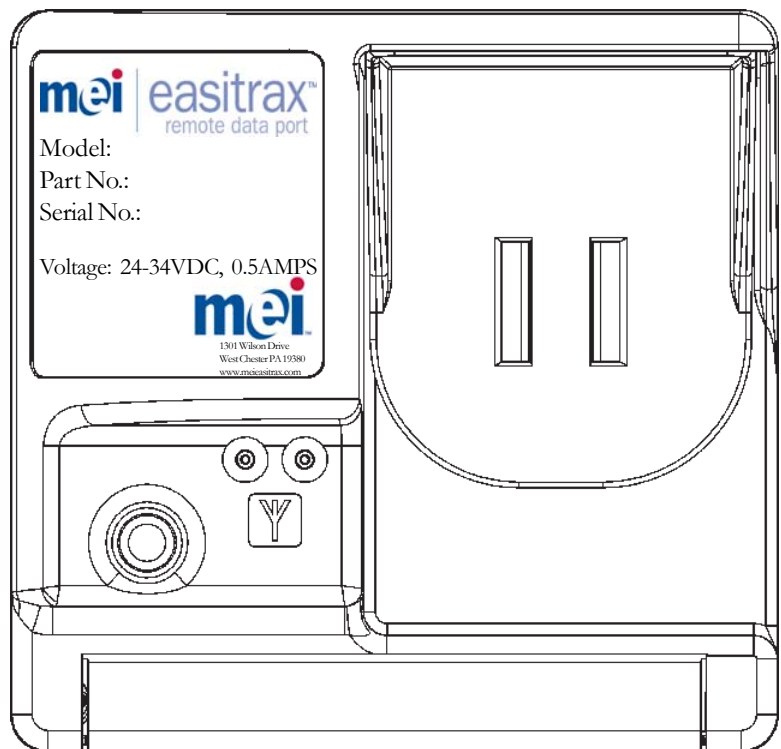
## PRODUCT FEATURES

- Optional Mounting Bracket
- Linear Motor Monitoring
- Matrix Motor Monitoring
- Status LED
- DEX Jack

Nominal Voltage: 24-34VDC

## INTERFACES SUPPORTED

- Micromech Interface
- Pulse & Serial Bill Validator
- ACD (Accumulated Credit Display)
- Cash Counter



# PRODUCT OVERVIEW

---

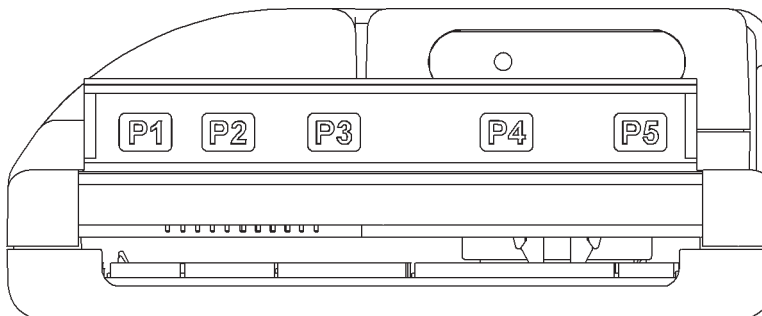
## SERIAL NUMBER CONFIGURATION

<b>WWYLCCPPPPP</b>	
<b>WW</b>	- Week Manufactured (01 through 52)
<b>Y</b>	- Year Manufactured (2 for 2002)
<b>L</b>	- Manufacturing Location
<b>CC</b>	- Configuration Code
<b>PPPPP</b>	- Sequential Production Number

## CONFIGURATION

The remote data port will be shipped with factory default settings. Each remote data port will require machine specific configuration using an MEI Support Tool. See MEI Easitrax Remote Data Port Configuration manual for instructions.

## REMOTE DATA PORT



Bottom View

The remote data port is the core of the audit retrieval system. It allows for easy retrieval of cash transactions and/or product vending cycles. The remote data port has five connection points for interfacing the port directly or indirectly through data pods to the vending machine.

<u>P1 - 215630001</u> DDCMP/Printer DEX MDB	<u>P2 - 215634004</u> Electronic Lock Credit Card Reader Executive Interface (Master) Executive Interface (Slave)	<u>P3 - 215638002</u> Config I/O, Dalla 1 Wire Temp RS485 LAN Optional Battery- Rechargeable Fill Sw. Detector (Req. External I/F) Light Detector (Req. External Isolation) Cash Counter I/F (Req. Isolation)	<u>P4 - 215636003</u> LMM/MMM/DLMM/DMMM HII2 Interface Micromech Coin Mech Printer ACD Parallel Coin Mech Bill Validator	<u>P5 - 215632005</u> VMC Printer One Wire Interface
--	---	---	---	--

# PRODUCT OVERVIEW

---

## MEI EASITRAX EZ 100 (LMM)

The MEI EASITRAX EZ 100 is used when monitoring product vend cycles. It allows for high voltage monitoring of linear vend motors, credit line and cash counter.

P1	Data Port Interface
P2	Linear Motor
P3	Cash Counter

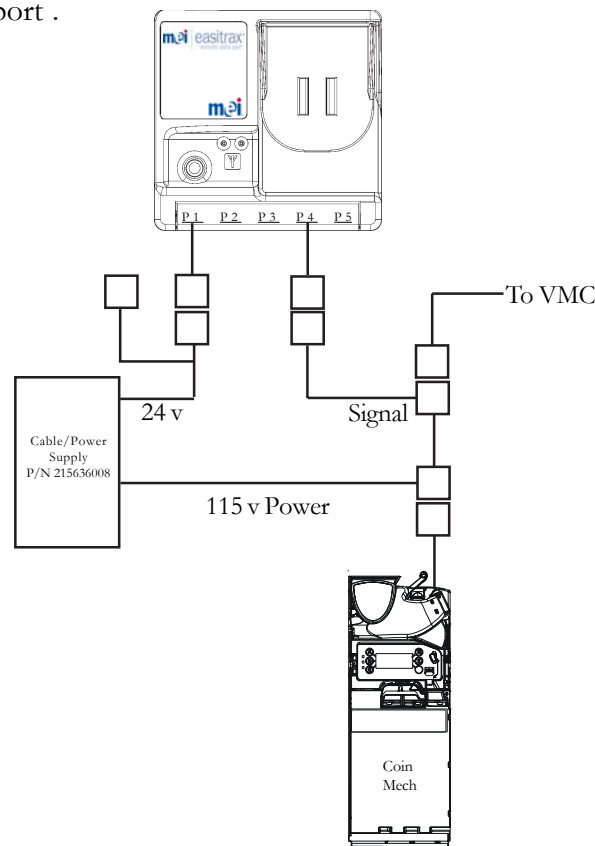
## MEI EASITRAX EZ 200 (DMMM)

The MEI EASITRAX EZ 200 is used when monitoring product vend cycles. Its voltage source is the data port. **It allows for 5V logic to monitor matrix vend motors.**

P1	Data Port Interface
P2	Matrix Motor

## MEI Easitrax Cable/Power Supply

The MEI EASITRAX cable/power supply is an optional 115v/24v supply which is used to power the dataport when a vending machine has a 12 pin micromech interface and no available ACD. The cable/power supply allows micromech communication for collection of vend information from the coin changer to the data port .



# PRODUCT OVERVIEW

---

## Before Installation

- Verify that the machine and its components work properly prior to data port installation.
- Power **MUST** be removed from the vendor prior to starting the installation.
- Visually inspect machine cables for defects. Adjust/Replace as needed.
- Perform a test vend and verify change payback.
- Locate a position where the data port is easily accessible, make sure that harnesses will reach pod(s) and that no objects are obstructing the data port DEX Jack.
- Clear all machine errors.

## Needed Tools/Supplies

- Cable Ties (Supplied by MEI)– Black UV stable cable ties and self-adhesive cable tie bases.
- Cleaning materials for vending machines.
- General assorted tools such as screwdrivers wire cutters, etc.

## Required Installation Standard

It is a requirement that all products and cables are securely fastened to the vendor. The installer will need to provide UV stable cable ties to securely fasten all cables to the vendor. Any looping of excess cable must be fastened to the vendor and service loops need to be minimized.

## Antenna Installation

Antennas shall be installed so that a separation distance of 20cm (8 inches) is maintained from individuals during normal use.

# AP-MACHINE INSTALLATION

---

## AP 6000 / 7000 Series Snack Machine Remote Data Port Installation

This machine can utilize the Full Option and Cash Only Option. If you are utilizing the Full Option perform steps 1 through 15.

### Required Components:

<u>Description</u>	<u>Part Number</u>
MEI EASITRAX Remote Data Port	216173001
MEI EASITRAX EZ 200	213660018
12 Pin Micromech Cable*	215630006
VFM Interface Cable	214977001
AP 6000/7000 Kit	216420003
Kit consist of:	
24V Supply Cable	215631014
MDB Power Cable	215630001
Electro-Mechanical “Stub” Harness	215636003
Motor Monitor Cable	215635012
APi 7x10 Motor Matrix Cable	214891001
APi Series 4k-7k Power Cable	214919001

} Soon to be replaced by  
p/n 215635017

*\*Note: The 12 Pin Micromech Cable and the VFM Interface Cable can be used with MEI and Coinco Products.*

### Installation Instructions

**WARNING**  
Do **Not** drill into high voltage wiring  
when drilling any necessary mounting holes.

- 1). Verify proper operation of the payment system. Perform a vend utilizing the bill validator and coin mech.
- 2). Power off the vending machine.
- 3). Install the Electro-Mechanical “Stub” Harness (p/n 215636003) to the P4 connector of the Remote Data Port (Observe orientation of the key. Ridge connector must face up).
- 4). Install the MDB power cable (p/n 215630001) into the plug marked P1 on the Remote Data Port (Observe orientation of the key. Ridge connector must face up).
- 5). Using supplied Velcro, attach the remote data port (p/n 216173001) to the machine. Make sure that the location of the remote data port does not impede machine operation.



## AP 6000/7000-MACHINE INSTALLATION

---

- 6) Connect the 12 Pin Micromech Cable (p/n 215630006) from the MEI coin changer to the Electro-Mechanical “Stub” Harness (p/n 215636003) coming out of the Remote Data P4 Connector.\*
- 7) Connect the VFM Interface cable (p/n 214977001) from the bill Acceptor to the Electro-Mechanical “Stub” Harness (p/n 215636003) coming out of the Remote Data Port P4 Connector.\*
- 8). Connect the Motor Monitor Cable (p/n 215635012) from the Micromech Cable (p/n 215630006) coming from the Coin Mech to the EZ 200 (p/n 213660018).
- 9). Connect the APi 7 X 10 Motor Matrix Cable (p/n 214891001) between the EZ 200 (p/n 213660018) and the Vending Machine. Using supplied Velcro, attach the EZ 200 to the machine near the data port. Make sure that the location of the EZ 200 does not impede machine operation or the closing of the cabinet door.
- 10) Connect the 24V Supply Cable (p/n 215631014) to the MDB power Cable (p/n 215630001) coming from the P1 connector on the Remote Data Port.
- 11) Connect the APi Series 4k-7k Power cable (p/n 214919001) from the 24V Supply Cable (p/n 215631014) to the Vending Machine.
- 12). Secure harnesses as required using wire ties.
- 13). Power on the vending machine. A solid green LED should be visible through the DEX socket (J1) located on the front of the data port.
- 14). Configure the remote data port by using the Palm-Based MEI EASITRAX RDP Installation Application.\*\*
- 15). Verify the Remote Data Port installation by using the Palm-Based MEI EASITRAX RDP Installation Application.

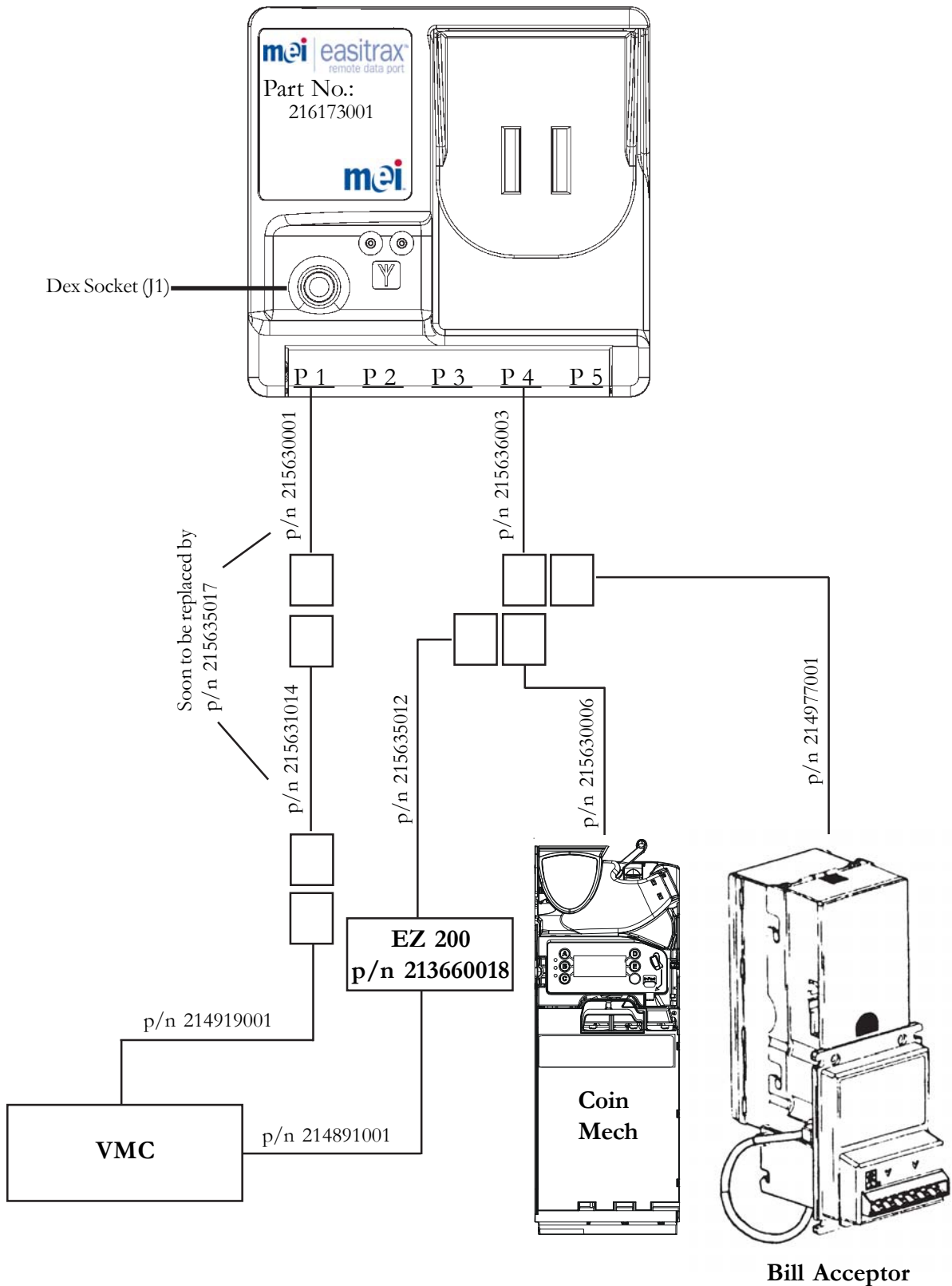
### **\*Coin Changer & Bill Acceptor:**

Call our technical support help desk for instructions when connecting to a coin changer and/or bill acceptor manufactured by a company other than MEI.

### **\*\*Configuration:**

Details pertaining to the configuration of the Remote Data Port are covered in the section “Palm-Based Installation Application”.

# AP 6000/7000-MACHINE DIAGRAM



**AP 203 / 213 Series Coffee Machine  
Remote Data Port Installation**

This machine can utilize the Full Option and Cash Only Option. If you are utilizing the Full Option perform steps 1 through 13.

**Required Components:**

<u>Description</u>	<u>Part Number</u>
MEI EASITRAX Remote Data Port	216173001
MEI EASITRAX EZ 100 LMM	213663003
15 Pin Micromech Cable*	215639010
VFM Interface Cable	214977001
AP 203/213 Kit	216424001
Kit consist of:	
MDB Power Interface Cable	215630001 — Soon to be replaced by p/n 215635017
Electro-Mechanical “Stub” Harness	215636003
LMM Interface Cable	215638007
Power Tap Adapter	215631014
Cup Drop Monitor Cable	215136047

*\*Note: The 15 Pin Micromech Cable and the VFM Interface Cable can be used with MEI and Coinco Products.*

**Installation Instructions**

**WARNING**  
Do **Not** drill into high voltage wiring  
when drilling any necessary mounting holes.

- 1). Verify proper operation of the payment system. Perform a vend utilizing the bill validator and coin mech.
- 2). Power off the vending machine.
- 3). Install the Electro-Mechanical “Stub” Harness (p/n 215636003) to the P4 connector of the Remote Data Port (Observe orientation of the key. Ridge connector must face up).
- 4). Install the MDB power cable (p/n 215630001) into the plug marked P1 on the Remote Data Port (Observe orientation of the key. Ridge connector must face up).
- 5). Using supplied Velcro, attach the remote data port (p/n 216173001) to the machine. Make sure that the location of the remote data port does not impede machine operation.

## AP 203/ 213 MACHINE INSTALLATION

---

- 6) Connect the 15 Pin Micromech Cable (p/n 215639010) from the MEI coin changer to the Electro-Mechanical “Stub” Harness (p/n 215636003) coming out of the Remote Data P4 Connector.\*
- 7) Connect the VFM Interface cable (p/n 214977001) from the bill Acceptor to the Electro-Mechanical “Stub” Harness (p/n 215636003) coming out of the Remote Data Port P4 Connector.\*
- 8). Connect the Power Tap Adaptor (p/n 215631014) from the MDB power cable (p/n 215630001) to the EZ 100 LMM (p/n 213663003).
- 9) Connect the Cup Drop Monitor Cable (p/n 215136047) from the EZ 100 LMM (p/n 213663003)to the Vending machine door.
- 10) Secure harnesses as required using wire ties.
- 11) Power on the vending machine. A solid green LED should be visible through the DEX socket (J1) located on the front of the data port.
- 12) Configure the remote data port by using the Palm-Based MEI EASITRAX RDP Installation Application.\*\*
- 13) Verify the Remote Data Port installation by using the Palm-Based MEI EASITRAX RDP Installation Application.

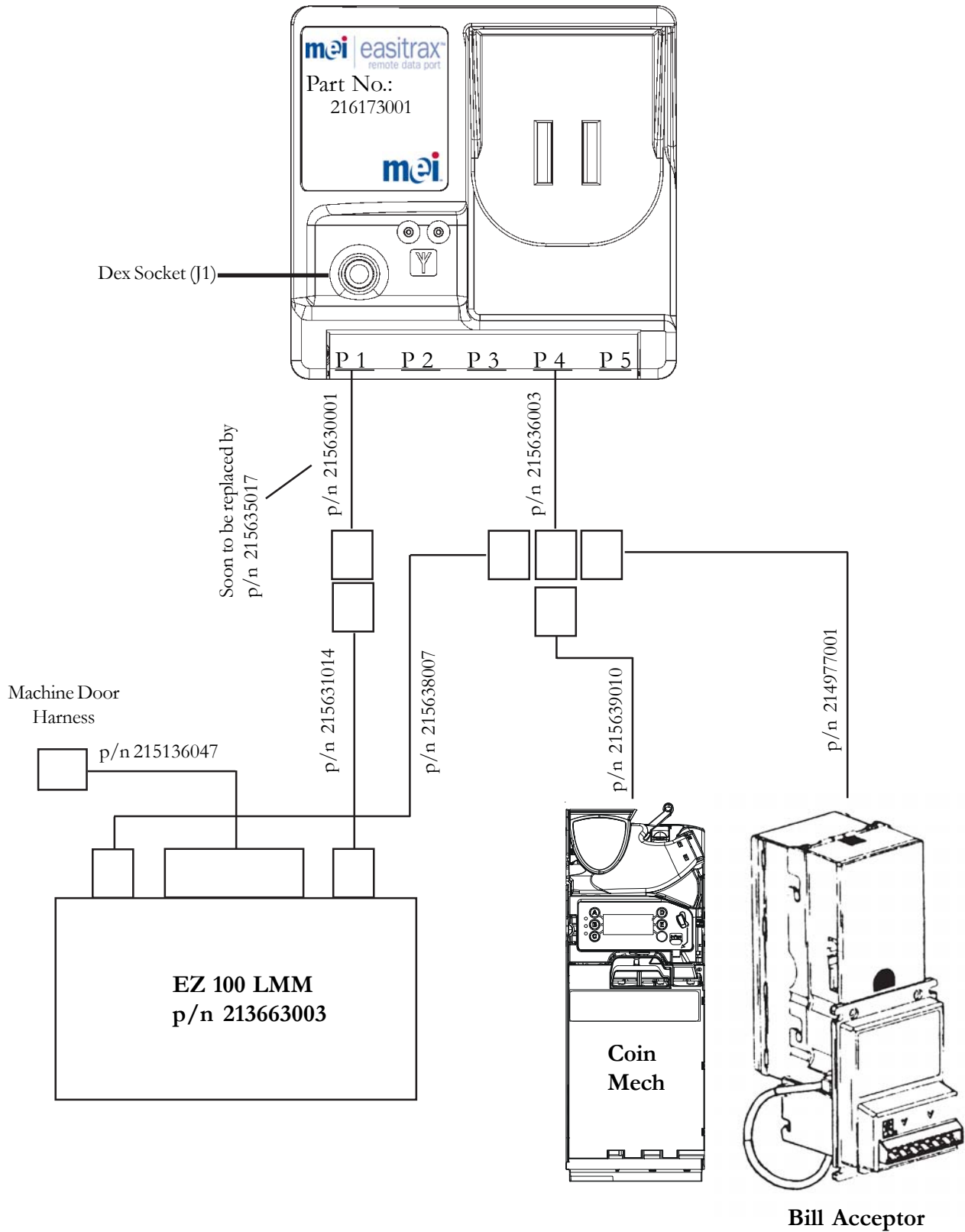
### **\*Coin Changer & Bill Acceptor:**

Call our technical support help desk for instructions when connecting to a coin changer and/or bill acceptor manufactured by a company other than MEI.

### **\*\*Configuration:**

Details pertaining to the configuration of the Remote Data Port are covered in the section “Palm-Based Installation Application”.

# AP 203/213 MACHINE DIAGRAM



# AP LCM 1-5 MACHINE INSTALLATION

---

## LCM 1-5 Series Snack Machine Remote Data Port Installation

This machine can utilize the Full Option and Cash Only Option. If you are utilizing the Full Option perform steps 1 through 14.

### Required Components:

<u>Description</u>	<u>Part Number</u>
MEI EASITRAX Remote Data Port	216173001
MEI EASITRAX EZ 200	213660018
15 Pin Micromech Cable*	215639010
AP LCM 1-5 Series Kit	216428004
Kit consist of:	
MDB Power Cable	215630001
Electro-Mechanical “Stub” Harness	215636003
Snack Motor Monitor	215635012
Power Tap Adapter Cable	215631014
LCM 7 x 10 Motor Matrix Cable	215137016

*\*Note: The 15 Pin Micromech Cable and the VFM Interface Cable can be used with MEI and Coinco Products.*

<b>WARNING</b>
----------------

Do <b>Not</b> drill into high voltage wiring when drilling any necessary mounting holes.
---

### Installation Instructions

- 1). Verify proper operation of the payment system. Perform a vend utilizing the bill validator and coin mech.
- 2). Power off the vending machine.
- 3). Install the Electro-Mechanical “Stub” Harness (p/n 215636003) to the P4 connector of the Remote Data Port (Observe orientation of the key. Ridge connector must face up).
- 4). Install the MDB power cable (p/n 215630001) into the plug marked P1 on the Remote Data Port (Observe orientation of the key. Ridge connector must face up).
- 5). Using supplied Velcro, attach the remote data port (p/n 216173001) to the machine. Make sure that the location of the remote data port does not impede machine operation.

## AP LCM 1-5 MACHINE INSTALLATION

---

- 6) Connect the 24V Supply Cable (p/n 215631014) to the MDB power Cable (p/n 215630001) coming from the P1 connector on the Remote Data Port.
- 7) Connect one end of the 15 Pin Micromech Cable (p/n 215639010) from the MEI coin changer to the Electro-Mechanical “Stub” Harness (p/n 215636003) coming out of the Remote Data P4 Connector.\* Connect the other end of the 15 Pin Micromech Cable (p/n 215639010) from the MEI coin changer to the 24V Supply Cable (p/n 215631014).
- 8) Connect the Snack Motor Cable (p/n 215635012) from the Electro-Mechanical “Stub” Harness (p/n 215636003) to the EZ 200 (p/n 213660018).
- 9) If you have a VFM bill acceptor, connect the VFM Interface cable (p/n 214977001) from the bill Acceptor to the Electro-Mechanical “Stub” Harness (p/n 215636003) coming out of the Remote Data P4 Connector
- 10) Connect the LCM 7 X 10 Motor Matrix Cable (p/n 215137016) from the EZ 200 (p/n 213660018) to the Vending Machine. Using supplied Velcro, attach the EZ 200 to the machine near the data port. Make sure that the location of the EZ 200 does not impede machine operation or the closing of the cabinet door.
- 11). Secure harnesses as required using wire ties.
- 12). Power on the vending machine. A solid green LED should be visible through the DEX socket (J1) located on the front of the data port.
- 13). Configure the remote data port by using the Palm-Based MEI EASITRAX RDP Installation Application.\*\*
- 14). Verify the Remote Data Port installation by using the Palm-Based MEI EASITRAX RDP Installation Application.

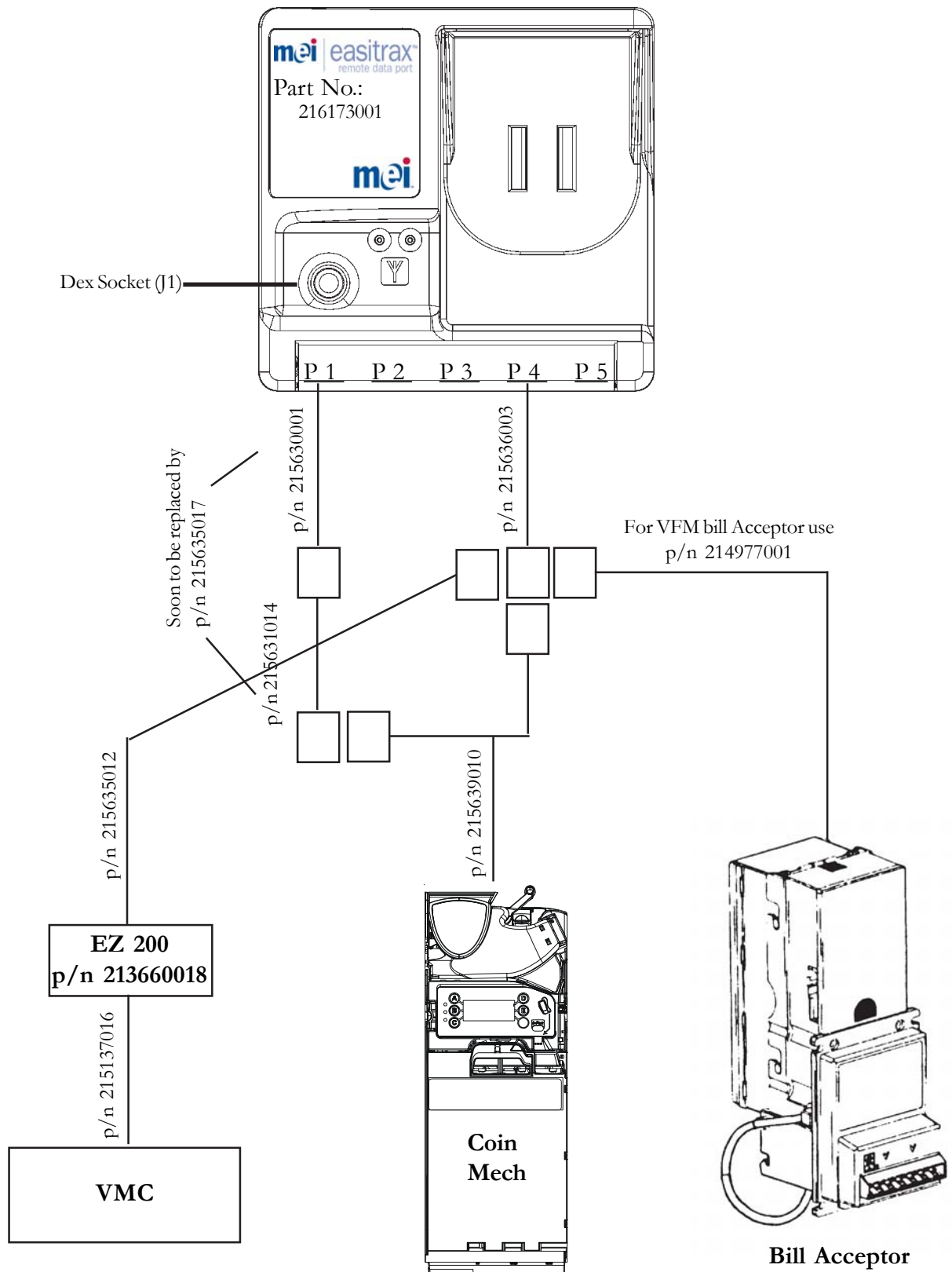
### **\*Coin Changer & Bill Acceptor:**

Call our technical support help desk for instructions when connecting to a coin changer and/or bill acceptor manufactured by a company other than MEI.

### **\*\*Configuration:**

Details pertaining to the configuration of the Remote Data Port are covered in the section “Palm-Based Installation Application”.

# LCM 1-5 MACHINE DIAGRAM





# SINGLE PRICE MACHINE INSTALLATION\_\_\_\_\_

## Single Price Machine Remote Data Port Installation

This machine can utilize the Full Option and Cash Only Option. If you are utilizing the Full Option perform steps 1 through 13.

### Required Components:

<u>Description</u>	<u>Part Number</u>
MEI EASITRAX Remote Data Port	216173001
MEI EASITRAX EZ 100 LMM	213663003
ACD Cable	215634009
Motor Cable	(See Dixie Chart on page 14)
Single Price Kit	216428009
Kit consist of:	
MDB Power Cable	215630001 — Soon to be replaced by p/n 215635017
Electro-Mechanical “Stub” Harness	215636003
Motor Monitor Cable	215638007
24V Supply Cable	215631014

**Note: The MEI Single Price Changer must have accessory harness p/n (01-12-121) attached in order for installation. These instructions are for MEI Single Price Coin Changer only.**

### Installation Instructions

<p align="center"><b>WARNING</b> Do <b>Not</b> drill into high voltage wiring when drilling any necessary mounting holes.</p>
---

- 1). Verify proper operation of the payment system. Perform a vend utilizing the bill validator and coin mech.
- 2). Power off the vending machine.
- 3). Install the Electro-Mechanical “Stub” Harness (p/n 215636003) to the P4 connector of the Remote Data Port (Observe orientation of the key. Ridge connector must face up).
- 4). Install the MDB power cable (p/n 215630001) into the plug marked P1 on the Remote Data Port (Observe orientation of the key. Ridge connector must face up).

## SINGLE PRICE MACHINE INSTALLATION

---

- 5). Using supplied Velcro, attach the remote data port (p/n 216173001) to the machine. Make sure that the location of the remote data port does not impede machine operation.
- 6). Installing the ACD cable (p/n 215634009):
  - Connect the 6 pin ACD connector at the end of the MEI coin mech harness to the mating 6 pin connector on the ACD cable tap.\*
  - Connect the ACD Cable tap connector marked P3 to the mating 10 pin connector of the Electro-Mechanical “Stub” Harness (p/n 215636003) that is already attached to P4 of the Remote Data Port.\*
- 7). Connect the LMM Interface cable (p/n 215638007) from the Electro-Mechanical “Stub” Harness (p/n 215636003) to the EZ 100 LMM (p/n 213663003).
- 8). Connect the 24V Supply Cable (p/n 215631014) between the MDB Power Cable (p/n 215630001) and the EZ 100 LMM (p/n 213663003).
- 9). To complete connection, pick appropriate Motor Cable, based on machine model, from Dixie Narco table on page 12 or another manufacturers Motor Cable. Use this Motor Cable to connect from the vending machine door to the 16 pin connector on the EZ 100 LMM.
- 10). Secure harnesses as required using wire ties.
- 11). Power on the vending machine. A solid green LED should be visible through the DEX socket (J1) located on the front of the data port.
- 12). Configure the remote data port by using the Palm-Based MEI EASITRAX RDP Installation Application.\*\*
- 13). Verify the Remote Data Port installation by using the Palm-Based MEI EASITRAX RDP Installation Application.

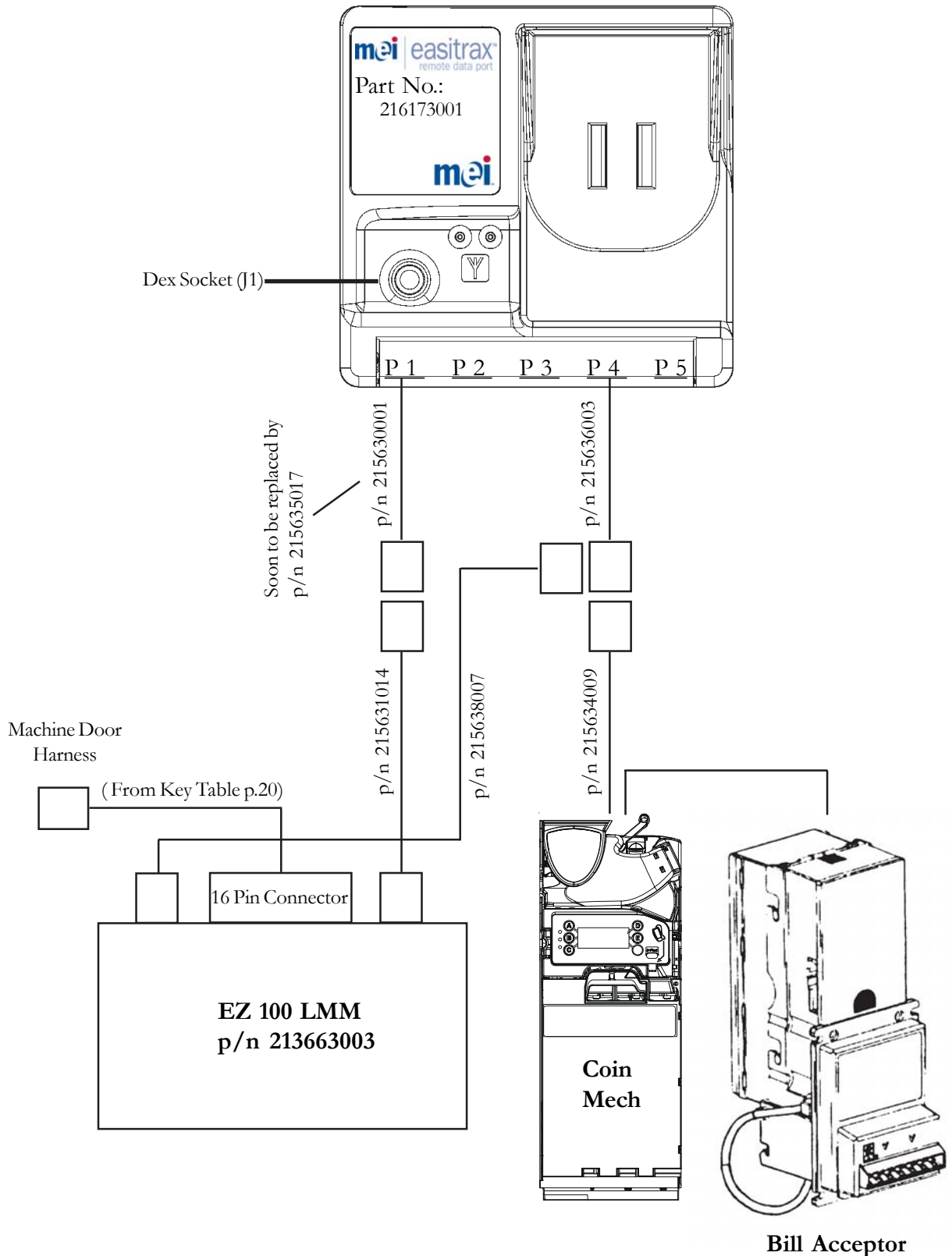
### **\* Coin Changer:**

Call our technical support help desk for instructions when connecting to a coin changer manufactured by a company other than MEI.

### **\*\*Configuration:**

Details pertaining to the configuration of the Remote Data Port are covered in the section “Palm-Based Installation Application”.

# SINGLE PRICE MACHINE INSTALLATION



# DIXIE-MACHINE INSTALLATION

---

Dixie Narco Motor Cable Chart

Make/model	Qualifier	Door Cable	Installed Cable
DN - 8	803812110.11	Tr	Tr
DN - 7	803812150.11	Tr	Ts
DN - 7 803	803812150.11	Tr	Ts
DN - 7	803812150.11	Tr	Ts
DN - 6	803812340.01	Tr	Tr
DN - 5 603	803812350.01	Tr	Ts
DN - 5 603	803812370.01	Tr	Ts
DN - 6	803812380.01	Tr	Tr
DN - 5	803812540.01	Tr	Tr
DN - 7 803	803815740.01	Tr	Ts
DN - 9	803818540.01	10	10s
DN -10	803818550.01	10	10
DN - 8	803819180.01	Tr	Tr
DN - 6	803819190.01	Tr	Tr
DN -10	803819220.01	10	10
DN - 8	803820440.01	Tr	Tr
DN - 7 803	803820450.01	Tr	Ts
DN - 8	803820460.01	Tr	Tr
DN - 6	803821050.01	Tr	Tr
DN - 5	803821410.01	Tr	Tr
DN - 7 803	803822920.01	Tr	Ts
DN - 7 803	803822920.11	Tr	Ts
DN - 6	803823320.01	Tr	Tr
DN - 6	803823320.11	Tr	Tr
DN - 8	803823610.11	Tr	Tr
DN - 6	803825890.01	Rd	90
DN - 7 803	803825980.01	Rd	Rd
DN - 8	803826000.01	Rd	90
DN - 8	803826030.01	Rd	90
DN - 7 803	803826670.01	Rd	90
DN - 7 803	903828330.31	Rd	90
DN - 7 803	903829040.31	Rd	90
DN - 8	903829050.11	Rd	90
DN - 8	903829060.11	Rd	90
DN - 7 803	903829070.11	Rd	90
DN - 8	903829080.11	Rd	90
DN - 10	903829180.21	Rd	90

KEY:  
 90 = Series 90 213581001  
 Rd = Reduced Split  
 Rs = RS SEQUENCER  
 Tr = Triple Split 213594001  
 Ts = TS SEQUENCER 215135017  
 10 = Ten Clm (2x15 pin)  
 10s = TC SEQUENCER 215133018

# CRANE NATIONAL-MACHINE INSTALLATION\_\_\_\_\_

## National 145 / 146 Series Snack Machine Remote Data Port Installation

This machine can utilize the Full Option and Cash Only Option. If you are utilizing the Full Option perform steps 1 through 15.

### Required Components:

<u>Description</u>	<u>Part Number</u>
MEI EASITRAX Remote Data Port	216173001
MEI EASITRAX EZ 200	213660018
12 Pin Micromech Cable*	215630006
VFM Interface Cable	214977001
or	
Conlux Interface Cable	215139015
National 145/146 kit	216422007
Kit consist of:	
MDB Power Cable	215630001
24V Supply Cable	215631014
Motor Monitor Cable	215635012
National 7x10 Motor Matrix Cable	214951001
Electro-Mechanical "Stub" Harness	215636003
National 145/146 Power Tap	215136008

Soon to be replaced by  
p/n 215635017

*\*Note: The 12 Pin Micromech Cable and the VFM Interface Cable can be used with MEI and Coinco Products.*

### Installation Instructions

**WARNING**  
Do **Not** drill into high voltage wiring  
when drilling any necessary mounting holes.

- 1). Verify proper operation of the payment system. Perform a vend utilizing the bill validator and coin mech.
- 2). Power off the vending machine.
- 3). Install the Electro-Mechanical "Stub" Harness (p/n 215636003) to the P4 connector of the Remote Data Port (Observe orientation of the key. Ridge connector must face up).
- 4). Install the MDB power cable (p/n 215630001) into the plug marked P1 on the Remote Data Port (Observe orientation of the key. Ridge connector must face up).
- 5). Using supplied Velcro, attach the remote data port (p/n 216173001) to the machine. Make sure that the location of the remote data port does not impede machine operation.

# CRANE NATIONAL-MACHINE INSTALLATION\_\_\_\_\_

- 6) Connect one end of the 12 Pin Micromech Cable (p/n 215630006) from the MEI coin changer to the Electro-Mechanical “Stub” Harness (p/n 215636003) coming out of the Remote Data P4 Connector.\*
- 7) If you have a VFM bill acceptor, connect the VFM Interface cable (p/n 214977001) from the bill Acceptor to the Electro-Mechanical “Stub” Harness (p/n 215636003) coming out of the Remote Data Port P4 Connector.\*  
  
If you have a Conlux bill acceptor, connect the Conlux Interface cable (p/n 215139015) from the bill Acceptor to the Electro-Mechanical “Stub” Harness (p/n 215636003) coming out of the Remote Data Port P4 Connector.
- 8). Connect the Motor Monitor Cable (p/n 215635012) from the Micromech Cable (p/n 215630006) coming from the Coin Mech to the EZ 200 (p/n 213660018).
- 9). Connect the National 7 X 10 Motor Matrix Cable (p/n 214951001) between the EZ 200 (p/n 213660018) and the Vending Machine. Using supplied Velcro, attach the EZ 200 to the machine near the data port. Make sure that the location of the EZ 200 does not impede machine operation or the closing of the cabinet door.
- 10) Connect the 24V Supply Cable (p/n 215631014) to the MDB power Cable (p/n 215630001) coming from the P1 connector on the Remote Data Port.
- 11) Connect the National 145/146 Power Tap (p/n 215136008) from the 24V Supply Cable (p/n 215631014) to the Vending Machine.
- 12). Secure harnesses as required using wire ties.
- 13). Power on the vending machine. A solid green LED should be visible through the DEX socket (J1) located on the front of the data port.
- 14). Configure the remote data port by using the Palm-Based MEI EASITRAX RDP Installation Application.\*\*
- 15). Verify the Remote Data Port installation by using the Palm-Based MEI EASITRAX RDP Installation Application.

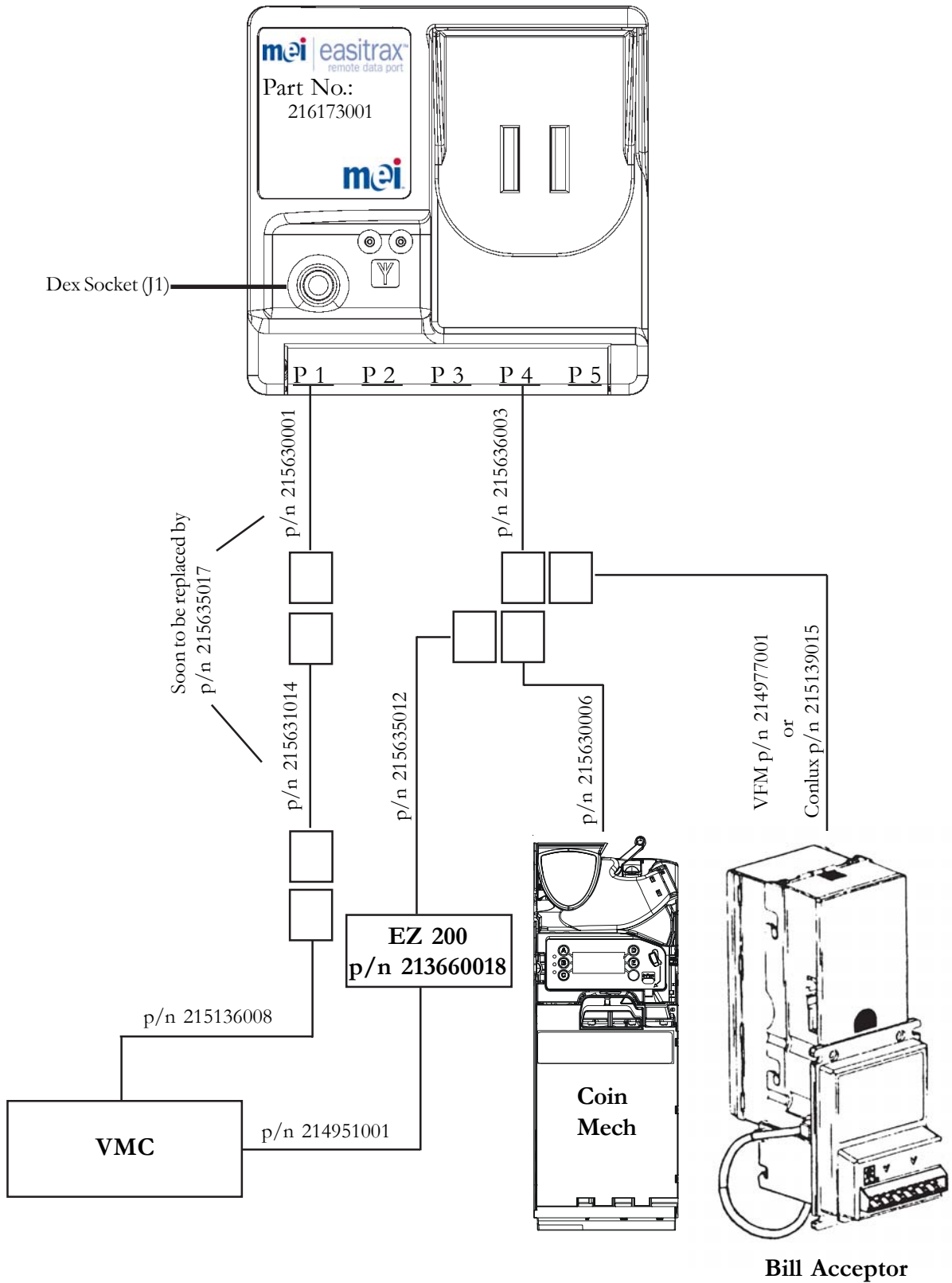
## **\*Coin Changer & Bill Acceptor:**

Call our technical support help desk for instructions when connecting to a coin changer and/or bill acceptor manufactured by a company other than MEI.

## **\*\*Configuration:**

Details pertaining to the configuration of the Remote Data Port are covered in the section “Palm-Based Installation Application”.

# CRANE NATIONAL 145/146-MACHINE DIAGRAM



# RMI-MACHINE INSTALLATION

---

## RMI 2000 / 8050 MEI EASITRAX Remote Data Port Installation

This machine **only** utilizes the Cash Only Option.

### Required Components:

<u>Description</u>	<u>Part Number</u>	
MEI EASITRAX Remote Data Port	216173001	
MEI EASITRAX EZ 100 LMM	213663003	
ACD Cable	215634009	
RMI Kit	216422002	
Kit consist of:		
MDB Power Interface Cable	215630001	} Soon to be replaced by p/n 215635017
Power Tap Adapter	215631014	
Electro-Mechanical “Stub” Harness	215636003	
LMM Interface Cable	215638007	
Cup Drop Monitor Cable	215138046	

### Installation Instructions

<p style="text-align: center;"><b>WARNING</b> Do <b>Not</b> drill into high voltage wiring when drilling any necessary mounting holes.</p>
--

- 1). Verify proper operation of the payment system. Perform a vend utilizing the bill validator and coin mech.
- 2). Power off the vending machine.
- 3). Install the Electro-Mechanical “Stub” Harness (p/n 215636003) to the P4 connector of the Remote Data Port (Observe orientation of the key. Ridge connector must face up).
- 4). Install the MDB power cable (p/n 215630001) into the plug marked P1 on the Remote Data Port (Observe orientation of the key. Ridge connector must face up).
- 5). Using supplied Velcro, attach the remote data port (p/n 216173001) to the machine. Make sure that the location of the remote data port does not impede machine operation.
- 6). Installing the ACD cable (p/n 215634009):
  - Connect the 6 pin ACD connector at the end of the MEI coin mech harness to the mating 6 pin connector on the ACD cable tap.\*



# RMI-MACHINE INSTALLATION

---

-Connect the ACD Cable tap connector marked P3 to the mating 10 pin connector of the electromechanical “Stub” harness (p/n 215636003) that is already attached to P4 of the Remote Data Port.

- 7). Secure the ACD harness using wire ties.
- 8). To connect power to the Remote Data Port, make the following connections:  
  
Plug in the 6 pin MDB end of the 24V supply cable (p/n 215631014) into the MDB connector on the MDB power cable (p/n 21563001).  
  
Using the supplied 3M J-hook strips, attach the EZ 100 LMM module (p/n 213663003) near the top hinge of the machine’s door. Make sure that the location of the EZ 100 LMM does not impede machine operation.  
  
Connect the 2 pin plug of the installed 24V supply cable (p/n 215631014) to the 2 pin connector on the front, left side of the EZ100 LMM (p/n 213663003).
- 9) With the latch facing up, connect the 16 pin connector of the RMI 8050 Cup drop Monitor cable (p/n 215138046) into the EZ100 LMM at the front, center opening. Connect the other end to the machine door harness.
- 10). Power on the vending machine. A solid green LED should be visible through the DEX socket (J1) located on the front of the data port.
- 11). Configure the remote data port by using the Palm-Based MEI EASITRAX RDP Installation Application.\*\*
- 12). Verify the Remote Data Port installation by using the Palm-Based MEI EASITRAX RDP Installation Application.

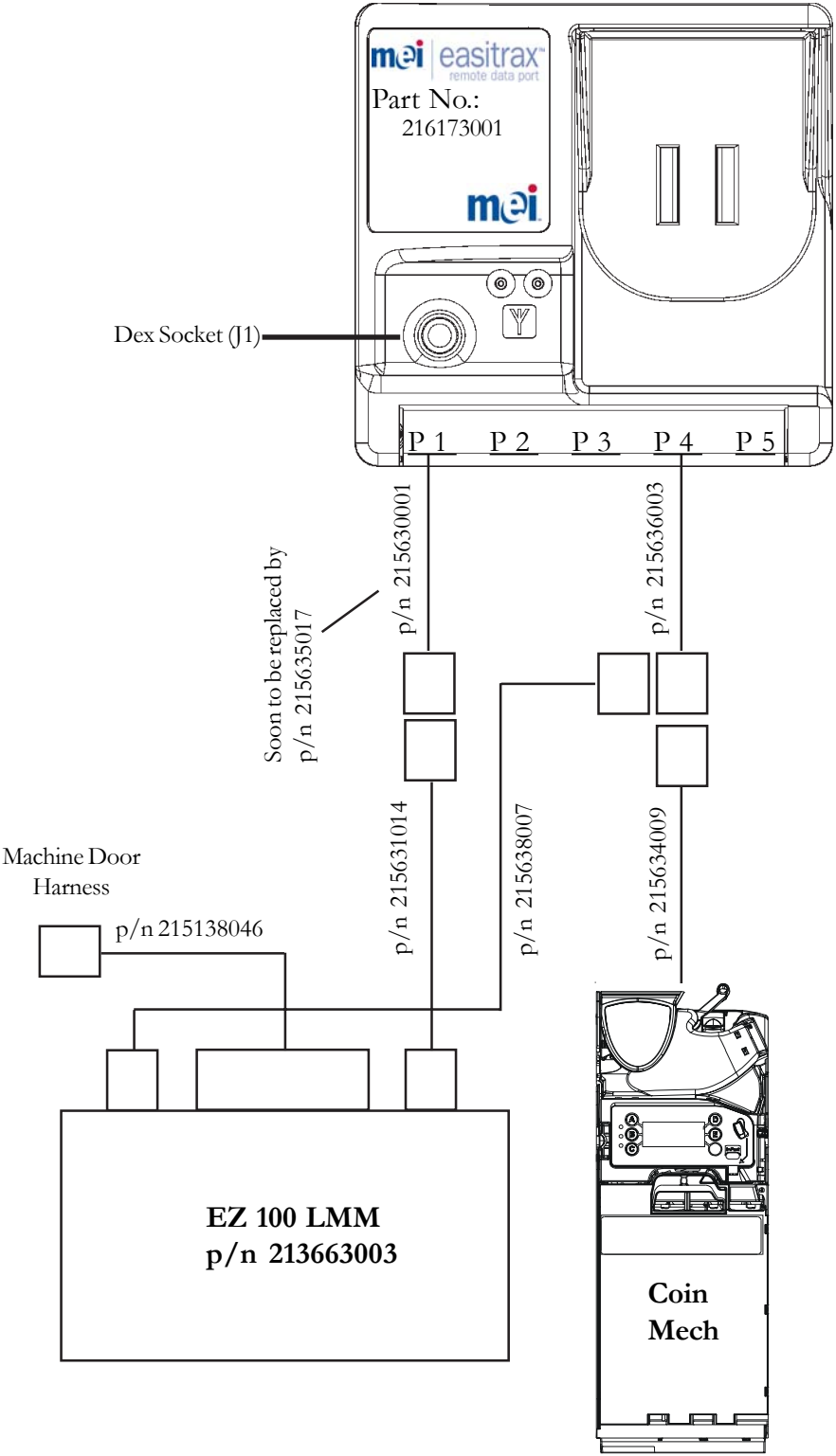
**\* Coin Changer:**

Call our technical support help desk for instructions when connecting to a coin changer manufactured by a company other than MEI.

**\*\*Configuration:**

Details pertaining to the configuration of the Remote Data Port are covered in the section “Palm-Based Installation Application”.

# RMI-MACHINE DIAGRAM



# ROWE-MACHINE INSTALLATION

---

## Rowe 448E Series Vending Machine Remote Data Port Installation

This machine can utilize the Full Option and Cash Only Option. If you are utilizing the Full Option perform steps 1 through 15.

### Required Components:

<u>Description</u>	<u>Part Number</u>
MEI EASITRAX Remote Data Port	216173001
12 Pin Micromech Cable*	215630006
Rowe 448 Kit	216420008
Kit Consist of:	
MDB Power Cable	215630001
24V Supply Cable	215631014
Electro-Mechanical “Stub” Harness	215636003
Rowe 448 Power Tap	214948001

} Soon to be replaced by  
p/n 215635017

\*Note: The 12 Pin Micromech Cable can be used with MEI and Coinco Products.

### Installation Instructions

**WARNING**  
Do **Not** drill into high voltage wiring  
when drilling any necessary mounting holes.

- 1). Verify proper operation of the payment system. Perform a vend utilizing the bill validator and coin mech.
- 2). Power off the vending machine.
- 3). Install the Electro-Mechanical “Stub” Harness (p/n 215636003) to the P4 connector of the Remote Data Port (Observe orientation of the key. Ridge connector must face up).
- 4). Install the MDB power cable (p/n 215630001) into the plug marked P1 on the Remote Data Port (Observe orientation of the key. Ridge connector must face up).
- 5). Using supplied Velcro, attach the remote data port (p/n 216173001) to the machine. Make sure that the location of the remote data port does not impede machine operation.
- 6). Connect the 12 Pin Micromech Cable (p/n 215630006) from the MEI coin changer to the Electro-Mechanical “Stub” Harness (p/n 215636003) coming out of the Remote Data P4 Connector.\*
- 7). Connect the 24V Supply Cable (p/n 215631014) to the MDB power Cable (p/n 215630001) coming from the P1 connector on the Remote Data Port.

## ROWE-MACHINE INSTALLATION

---

- 8) Connect the Rowe 448 Power Tap (p/n 214948001) from the 24V Supply Cable (p/n 215631014) to the Vending Machine.
- 9). Secure harnesses as required using wire ties.
- 10). Power on the vending machine. A solid green LED should be visible through the DEX socket (J1) located on the front of the data port.
- 11). Configure the remote data port by using the Palm-Based MEI EASITRAX RDP Installation Application.\*\*
- 12). Verify the Remote Data Port installation by using the Palm-Based MEI EASITRAX RDP Installation Application.

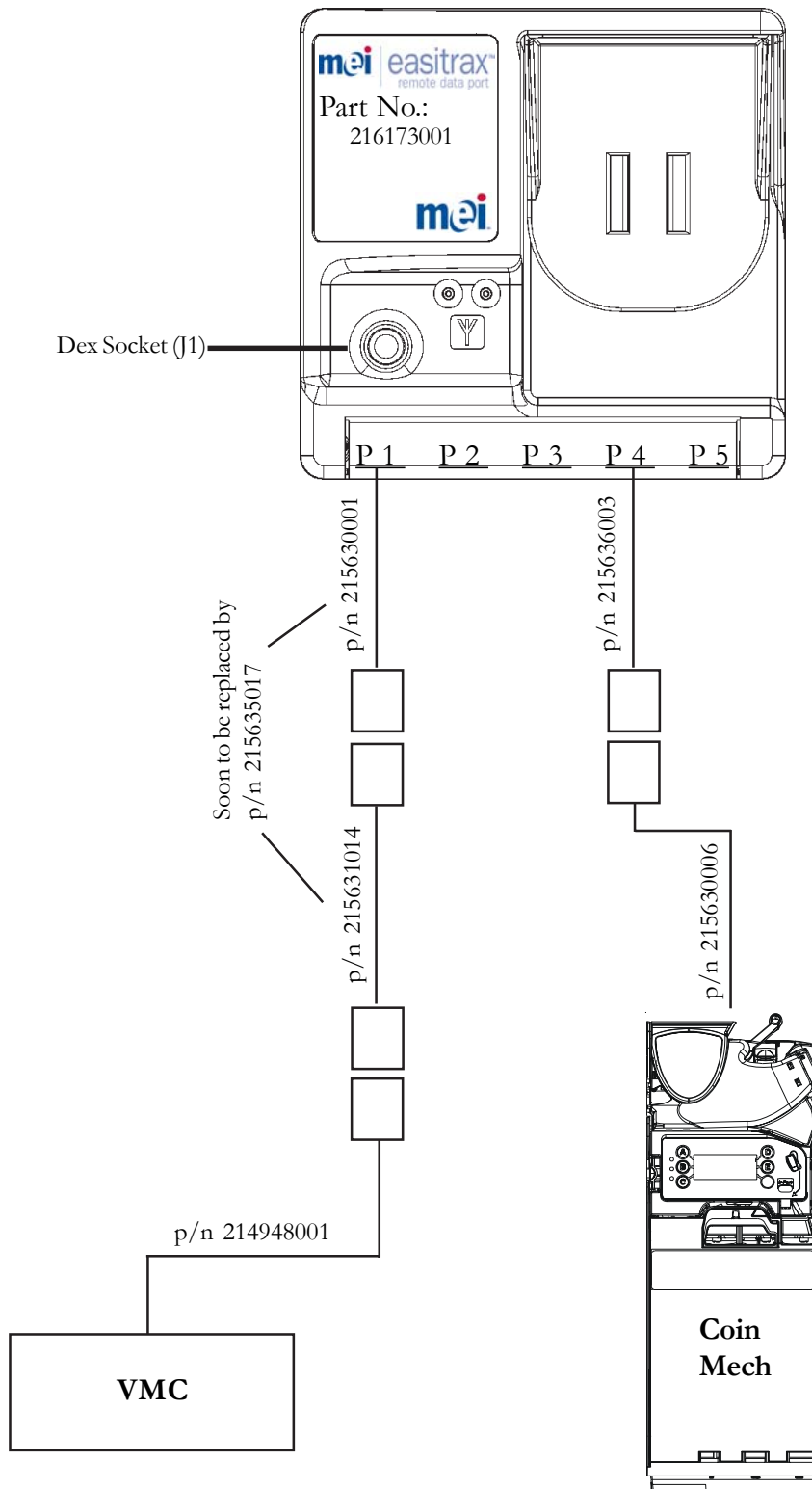
### **\*Coin Changer & Bill Acceptor:**

Call our technical support help desk for instructions when connecting to a coin changer and/or bill acceptor manufactured by a company other than MEI.

### **\*\*Configuration:**

Details pertaining to the configuration of the Remote Data Port are covered in the section "Palm-Based Installation Application".

# ROWE 448E-MACHINE DIAGRAM



# ROWE-MACHINE INSTALLATION

---

## Rowe 448E2 Series Vending Machine Remote Data Port Installation

This machine can utilize the Full Option and Cash Only Option. If you are utilizing the Full Option perform steps 1 through 15.

### Required Components:

<u>Description</u>	<u>Part Number</u>
MEI EASITRAX Remote Data Port	216173001
12 Pin Micromech Cable*	215630006
VFM Interface Cable	214977001
or	
Rowe Interface Cable	215130006
Rowe 448 Kit	216420008
Kit Consist of:	
MDB Power Cable	215630001
24V Supply Cable	215631014
Electro-Mechanical “Stub” Harness	215636003
Rowe 448 Power Tap	214948001

Soon to be replaced by  
p/n 215635017

\*Note: The 12 Pin Micromech Cable can be used with MEI and Coinco Products.

### Installation Instructions

#### **WARNING**

Do **Not** drill into high voltage wiring  
when drilling any necessary mounting holes.

- 1). Verify proper operation of the payment system. Perform a vend utilizing the bill validator and coin mech.
- 2). Power off the vending machine.
- 3). Install the Electro-Mechanical “Stub” Harness (p/n 215636003) to the P4 connector of the Remote Data Port (Observe orientation of the key. Ridge connector must face up).
- 4). Install the MDB power cable (p/n 215630001) into the plug marked P1 on the Remote Data Port (Observe orientation of the key. Ridge connector must face up).
- 5). Using supplied Velcro, attach the remote data port (p/n 216173001) to the machine. Make sure that the location of the remote data port does not impede machine operation.
- 6). Connect the 12 Pin Micromech Cable (p/n 215630006) from the MEI coin changer to the Electro-Mechanical “Stub” Harness (p/n 215636003) coming out of the Remote Data P4 Connector.\*

## ROWE-MACHINE INSTALLATION

---

- 7) If you have a VFM bill acceptor, connect the VFM Interface cable (p/n 214977001) from the bill Acceptor to the Electro-Mechanical “Stub” Harness (p/n 215636003) coming out of the Remote Data Port P4 Connector.\*  
  
If you have a Rowe bill acceptor, connect the Rowe Interface cable (p/n 215130006) from the bill Acceptor to the Electro-Mechanical “Stub” Harness (p/n 215636003) coming out of the Remote Data Port P4 Connector.
- 8) Connect the 24V Supply Cable (p/n 215631014) to the MDB power Cable (p/n 215630001) coming from the P1 connector on the Remote Data Port.
- 9) Connect the Rowe 448 Power Tap (p/n 214948001) from the 24V Supply Cable (p/n 215631014) to the Vending Machine.
- 10). Secure harnesses as required using wire ties.
- 11). Power on the vending machine. A solid green LED should be visible through the DEX socket (J1) located on the front of the data port.
- 12). Configure the remote data port by using the Palm-Based MEI EASITRAX RDP Installation Application.\*\*
- 13). Verify the Remote Data Port installation by using the Palm-Based MEI EASITRAX RDP Installation Application.

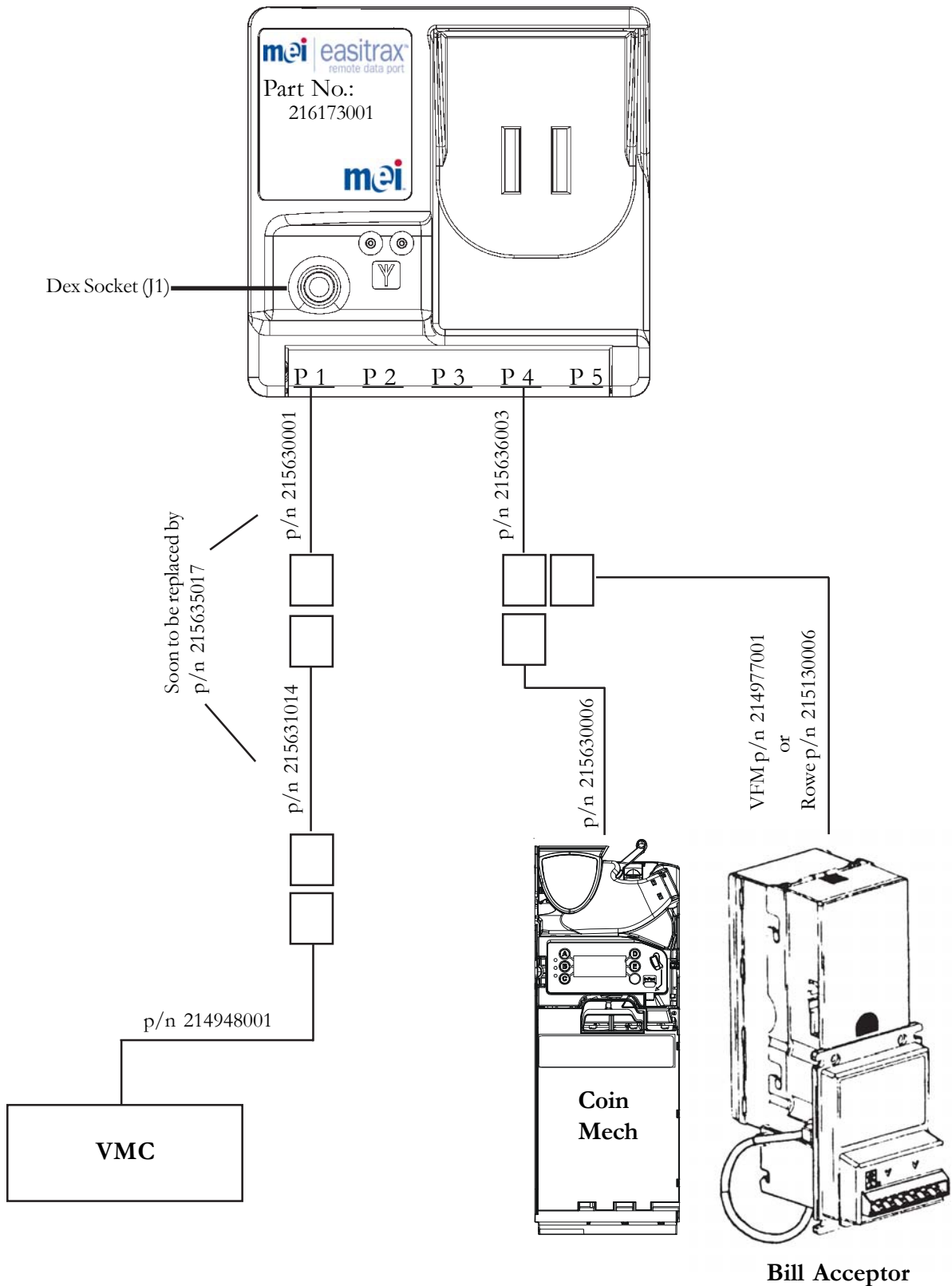
### **\*Coin Changer & Bill Acceptor:**

Call our technical support help desk for instructions when connecting to a coin changer and/or bill acceptor manufactured by a company other than MEI.

### **\*\*Configuration:**

Details pertaining to the configuration of the Remote Data Port are covered in the section “Palm-Based Installation Application”.

# ROWE448E2-MACHINE DIAGRAM





# ROWE-MACHINE INSTALLATION

---

## Rowe 5900 Series Snack Machine Remote Data Port Installation

This machine can utilize the Full Option and Cash Only Option. If you are utilizing the Full Option perform steps 1 through 14.

### Required Components:

<u>Description</u>	<u>Part Number</u>
MEI EASITRAX Remote Data Port	216173001
MEI EASITRAX EZ 200	213662012
15 Pin Micromech Cable*	215639010
VFM Interface Cable	214977001
or	
Rowe Interface Cable	215131031
Rowe 5900 Kit	216421011
Kit Consist of:	
MDB Power Cable	215630001
24V Supply Cable	215631014
Electro-Mechanical “Stub” Harness	215636003
Motor Monitor Cable	215635012
Rowe 4900 Power Tap	215133030
Rowe 7x10 Motor Matrix Cable	215133013
Bill Validator Extension	215139032

Soon to be replaced by  
p/n 215635017

*\*Note: The 15 Pin Micromech Cable and the VFM Interface Cable can be used with MEI and Coinco Products.*

### Installation Instructions

#### **WARNING**

Do **Not** drill into high voltage wiring  
when drilling any necessary mounting holes.

- 1). Verify proper operation of the payment system. Perform a vend utilizing the bill validator and coin mech.
- 2). Power off the vending machine.
- 3). Install the Electro-Mechanical “Stub” Harness (p/n 215636003) to the P4 connector of the Remote Data Port (Observe orientation of the key. Ridge connector must face up).
- 4). Install the MDB power cable (p/n 215630001) into the plug marked P1 on the Remote Data Port (Observe orientation of the key. Ridge connector must face up).
- 5). Using supplied Velcro, attach the remote data port (p/n 216173001) to the machine. Make sure that the location of the remote data port does not impede machine operation.

# ROWE-MACHINE INSTALLATION

---

- 6) Connect the 24V Supply Cable (p/n 215631014) to the MDB power Cable (p/n 215630001) coming from the P1 connector on the Remote Data Port.
- 7) Connect one end of the 15 Pin Micromech Cable (p/n 215639010) from the MEI coin changer to the Electro-Mechanical “Stub” Harness (p/n 215636003) coming out of the Remote Data P4 Connector.\* Connect the other end of the 15 Pin Micromech Cable (p/n 215639010) from the MEI coin changer to the 24V Supply Cable (p/n 215631014).
- 8) If you have a VFM bill acceptor, connect the VFM Interface cable (p/n 214977001) from the bill Acceptor to the Electro-Mechanical “Stub” Harness (p/n 215636003) coming out of the Remote Data Port P4 Connector.\*  
  
If you have a Rowe bill acceptor, connect the Rowe bill validator extension (p/n 215139032) to the Electro-Mechanical “Stub” Harness (p/n 215636003) coming out of the Remote Data Port P4 Connector. Then connect the bill validator extension (p/n 215139032) to the Rowe 5900 bill validator cable (p/n 215131031).
- 9). Connect the Motor Monitor Cable (p/n 215635012) from the Electro-Mechanical “Stub” Harness (p/n 215636003) to the EZ 200 (p/n 213660018).
- 10). Connect the Rowe 7 X 10 Motor Matrix Cable (p/n 215133030) between the EZ 200 (p/n 213660018) and the Vending Machine. Using supplied Velcro, attach the EZ 200 to the machine near the data port. Make sure that the location of the EZ 200 does not impede machine operation or the closing of the cabinet door.
- 11). Secure harnesses as required using wire ties.
- 12). Power on the vending machine. A solid green LED should be visible through the DEX socket (J1) located on the front of the data port.
- 13). Configure the remote data port by using the Palm-Based MEI EASITRAX RDP Installation Application.\*\*
- 14). Verify the Remote Data Port installation by using the Palm-Based MEI EASITRAX RDP Installation Application.

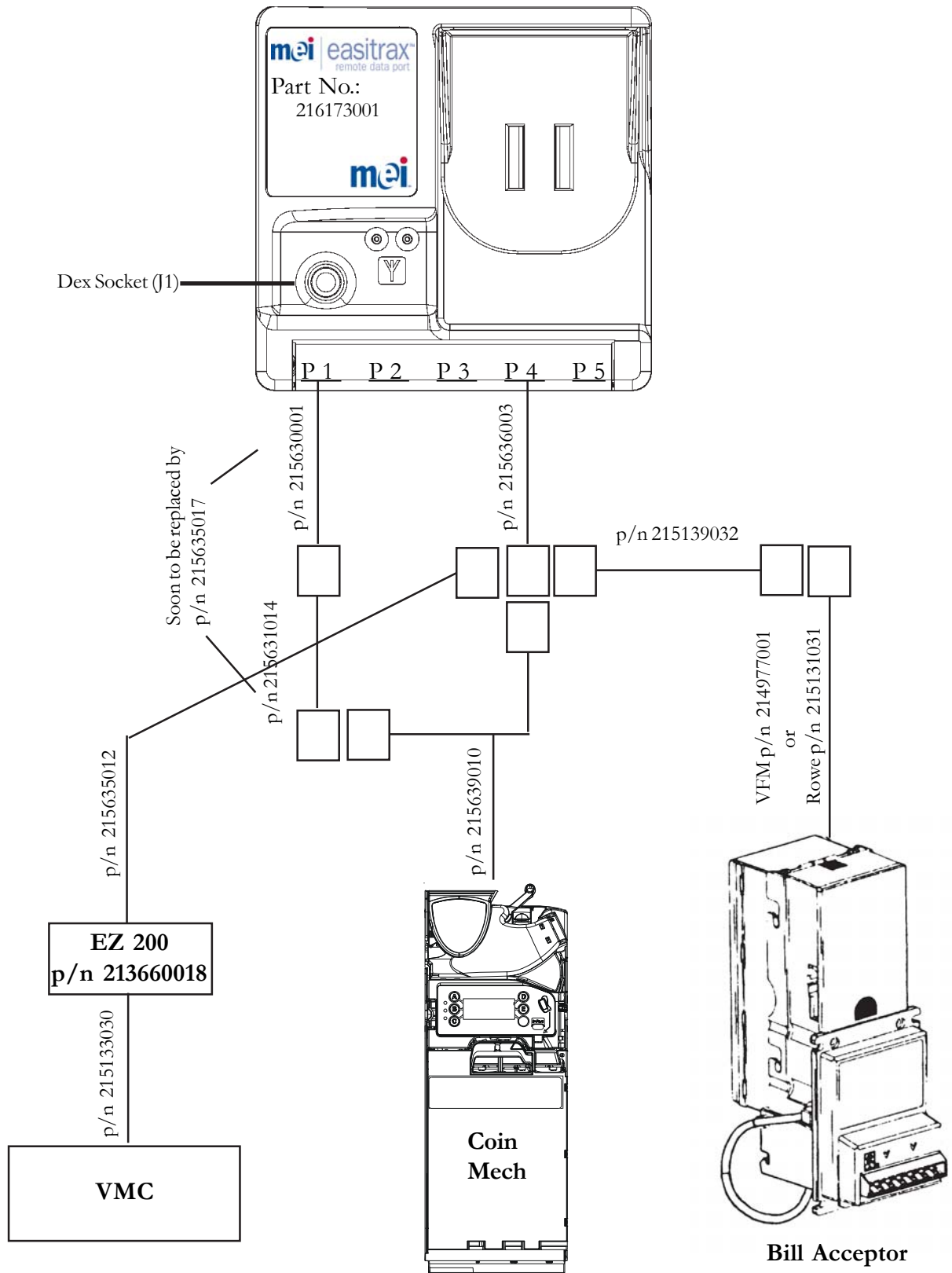
## **\*Coin Changer & Bill Acceptor:**

Call our technical support help desk for instructions when connecting to a coin changer and/or bill acceptor manufactured by a company other than MEI.

## **\*\*Configuration:**

Details pertaining to the configuration of the Remote Data Port are covered in the section “Palm-Based Installation Application”.

# ROWE 5900 MACHINE DIAGRAM



# COMPLIANCE

---

USA, (902-928Mhz) -

FCC ID: **QP8MEI915WLAN**

“This device complies with Part 15 of the FCC Rules. Operation is subject to the following two conditions: (1) this device may not cause harmful interference, and (2) this device must accept any interference received, including interference that may cause undesired operation.”

“Warning: Changes or modifications to this unit not expressly approved by the party responsible for compliance could void the user’s authority to operate the equipment.”

Canada, (902-928Mhz) -

Canada: **MEI915WLAN**

“This Class B digital apparatus complies with Canadian ICES-003.”

“Cet appareil numerique de la classe B est conforme a la norme NMB-003 du Canada.”

“Operation is subject to the following two conditions: (1) this device may not cause interference, and (2) this device must accept any interference, including interference that may cause undesired operation of the device.”

“This device has been designed to operate with an antenna having a maximum gain of 0 dB. Antennas having a higher gain is strictly prohibited per regulations of Industry Canada. The required antenna impedance is 50 ohms.”

In order to comply with CFR47 part 1.1310, antennas shall be installed so that a separation distance of 20cm (8 inches) is maintained from individuals during normal use.