



BA30S Series Bill Acceptor

With Multi-Drop Bus

INSTALLATION AND OPERATION GUIDE

Coinco's BA30S Bill Acceptor

The BA30S Bill Acceptor is the result of extensive research and development in computerized crediting systems. This greatly simplified unit provides many important features never before available in any bill acceptor. The BA30S Bill Acceptor extends the capability of the vending machine.

Some of the BA30's many outstanding features include:

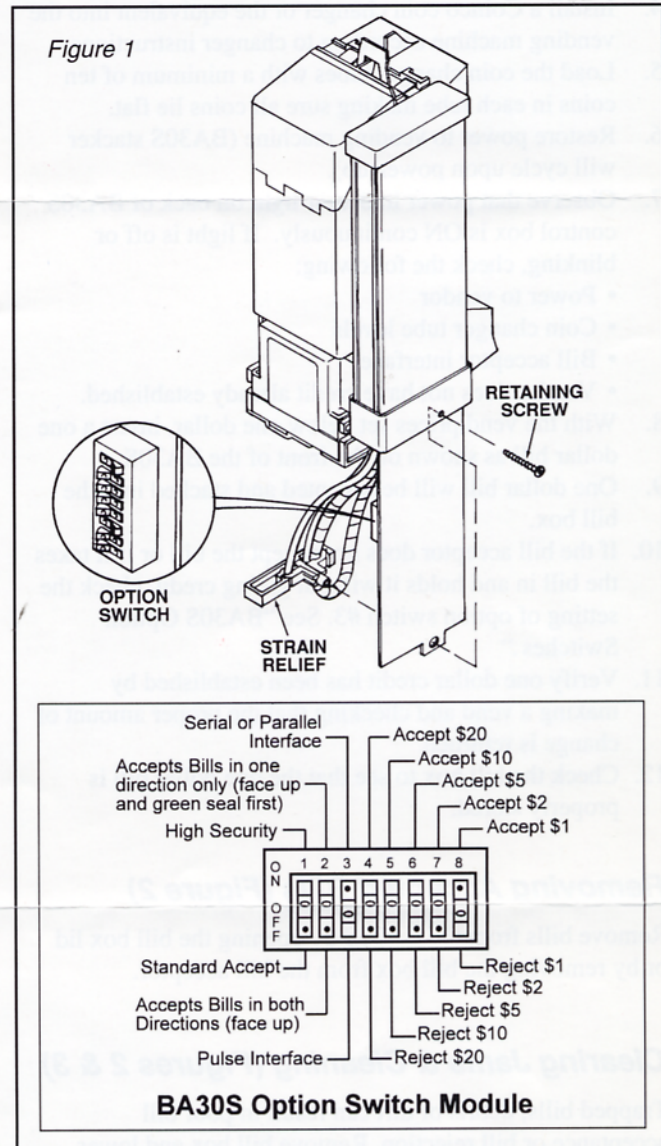
- Most of its components are manufactured of General Electric's Noryl® resins making it resistant to salting, corrosion and rust.
- Snap-in modules for easy cleaning and on-the-spot servicing.
- Standard and MDB (Multi-Drop Bus) interface.
- High dollar bill acceptance rate.
- Dollar bill escrow feature.
- Option switches which allow the acceptance of all or a combination of the following dollar bill denominations: \$1, \$2, \$5, \$10, \$20.
- The BA30S option switches allow the bill acceptor to be customized to the specific location's needs.

BA30S Option Switches (Figure 1)

The BA30S control board contains eight option switches which allow the unit to be customized to the installation requirements. The BA30S option switches are pre-set at the factory and shipped with switches #3 and #8 set to the ON position. This setting accepts one dollar bills only, face up in both directions. If desired settings are different from those set at the factory, refer to "Setting Option Switches."

Setting Option Switches (Figure 1)

Remove power from the BA30S. Remove retaining screw from bottom of cover. Dislodge the strain relief by gently pulling on the harnesses. Continue sliding the circuit board down until the switch module is exposed. Set option switches to desired settings according to the exploded view of the Option Switch Module. Reassemble unit in reverse order of disassembly.



Installation

1. Turn off vending machine power.
2. Install the BA30S into mounting hole of vending machine using appropriate hardware (not included).
3. Connect the BA30S interface harness (not included) to BA30S control box and the vending machine.

CAUTION: The interface harness, which plugs into the bottom of the bill acceptor control box, must be plugged in with the connector locking tab located toward the center of the control box.

NOTE: Should additional mounting hardware or harnessing be required, please contact your local Coinco office.

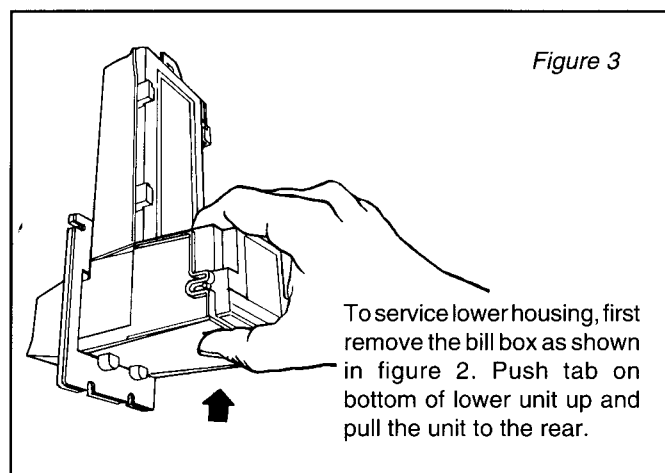
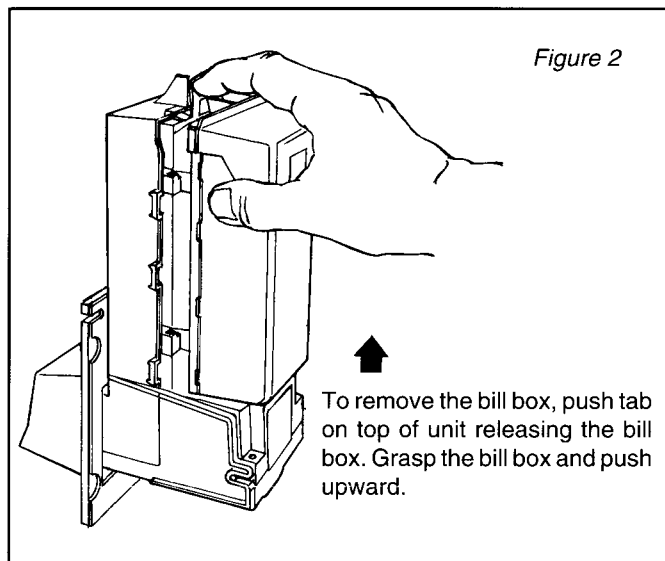
4. Install a Coinco coin changer or the equivalent into the vending machine according to changer instructions.
5. Load the coin changer tubes with a minimum of ten coins in each tube making sure all coins lie flat.
6. Restore power to vending machine (BA30S stacker will cycle upon power-up).
7. Observe that power indicator light on back of BA30S control box is ON continuously. If light is off or blinking, check the following:
 - Power to vendor
 - Coin changer tube levels
 - Bill acceptor interface
 - Vendor does not have credit already established.
8. With the vend prices set below one dollar, insert a one dollar bill as shown on the front of the BA30S.
9. One dollar bill will be accepted and stacked into the bill box.
10. If the bill acceptor does not accept the bill or if it takes the bill in and holds it without giving credit, check the setting of option switch #3. See "BA30S Option Switches."
11. Verify one dollar credit has been established by making a vend and checking that the proper amount of change is returned.
12. Check the bill box to see that the one dollar bill is properly stored.

Removing Accepted Bills (Figure 2)

Remove bills from the BA30S by opening the bill box lid or by removing the bill box from the bill acceptor.

Clearing Jams & Cleaning (Figures 2 & 3)

Trapped bills, debris or dirt can result in poor bill acceptance or bill rejection. Remove bill box and lower housing to clear trapped bills or debris. Clean bill path plastic parts or belts with a cloth moistened with a mild soap and water solution. Clean the magnetic head and optic sensors using a swab and isopropyl alcohol. **Do not use any petroleum based cleaning solvents, scouring pads or stiff brushes for cleaning. The BA30S never requires lubrication.**



Flash Codes	
A steady light indicates normal operation	
1	Bill box full
2	Not used
3	Check bill path
4	All bill accept switches (4 thru 8) of the switch module are OFF
5	Bill jam
6	or more, reset or service required